

## Features

- 347 Vac maximum working input voltage
- 

## Description

The PY-20KS10KTTN is designed to be used in conjunction with LED Drivers to provide an additional level of surge and transient protection.

## Models

Input Voltage Range	Nominal Discharge Current In(8/20µs)	I <sub>max</sub>	Up (Max Clamped Voltage Level)	Internal Gas Discharge Tube	Indicator	Rated Load Current	Model Number	Certification
347 Vac	10 kA	15 kA	2000 V	N	N	/	PY-20KS10KTTN	UL
/	/	/	/	/	/	/	BRU-20KS10KT	(none – bracket)

**Note:** (1) The BRU-20KS10KT is a optional bracket which used to fix the surge protector to the housing and it can be ordered separately.

## General Specifications

Parameter	Min.	Typ.	Max.	Notes
Rated Voltage	-	347 Vac	-	
Max. Continuous Operating Voltage (MCOV)	-	-	420 Vac	
Input Frequency	47 Hz	-	63 Hz	
Nominal Discharge Current In(8/20 s)	-	-	10 kA	
Number of Surges	15 kA 10 kA 3 kA 1 kA	1 15 100 500	- - - -	

## Environmental Specifications

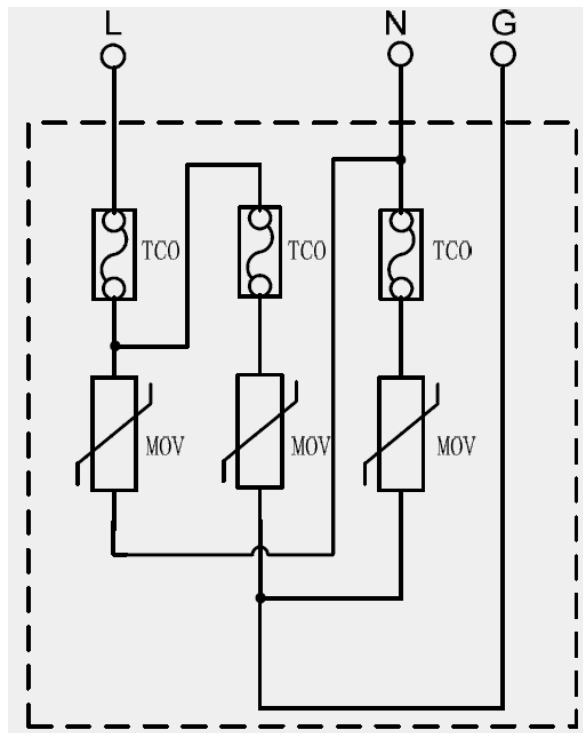
Parameter	Min.	Typ.	Max.	Notes
Operating Temperature	-40°C	-	+85°C	
Storage Temperature and humidity(≤24 hours)	-40°C	-	+85°C	Humidity: ≤ 75%RH
Recommended Storage Temperature and Humidity	-10°C	-	+40°C	Humidity: ≤ 75%RH

## Safety & EMC Compliance

Safety Category	Standard
UL	UL 1449 : Transient Voltage Surge Suppressors
IEEE C62.41	Guide on the Surge Environment in Low-Voltage (1000 V and Less) AC Power Circuits

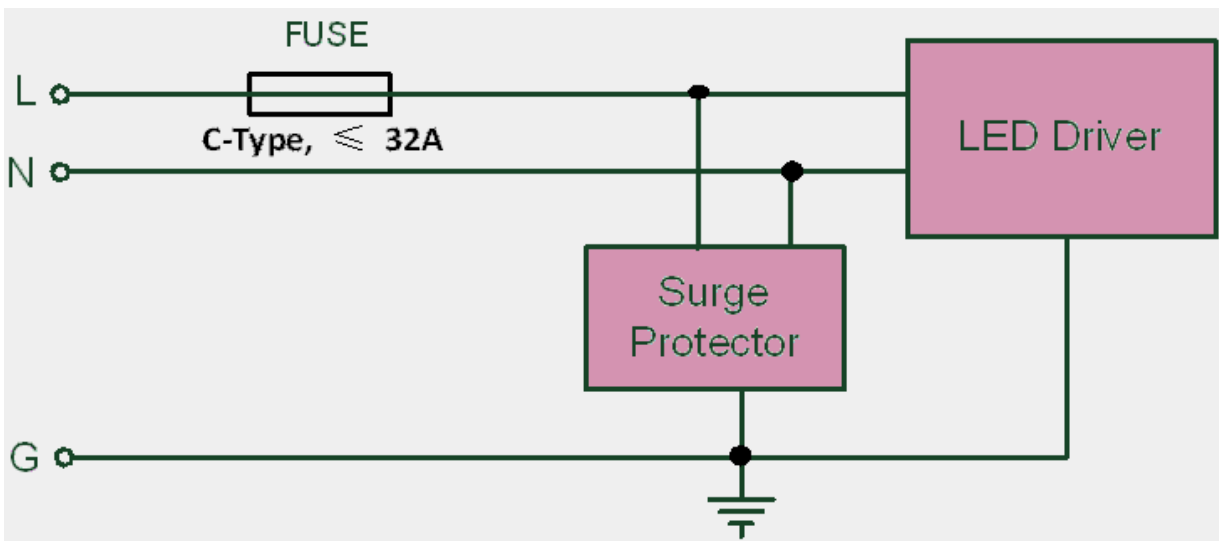
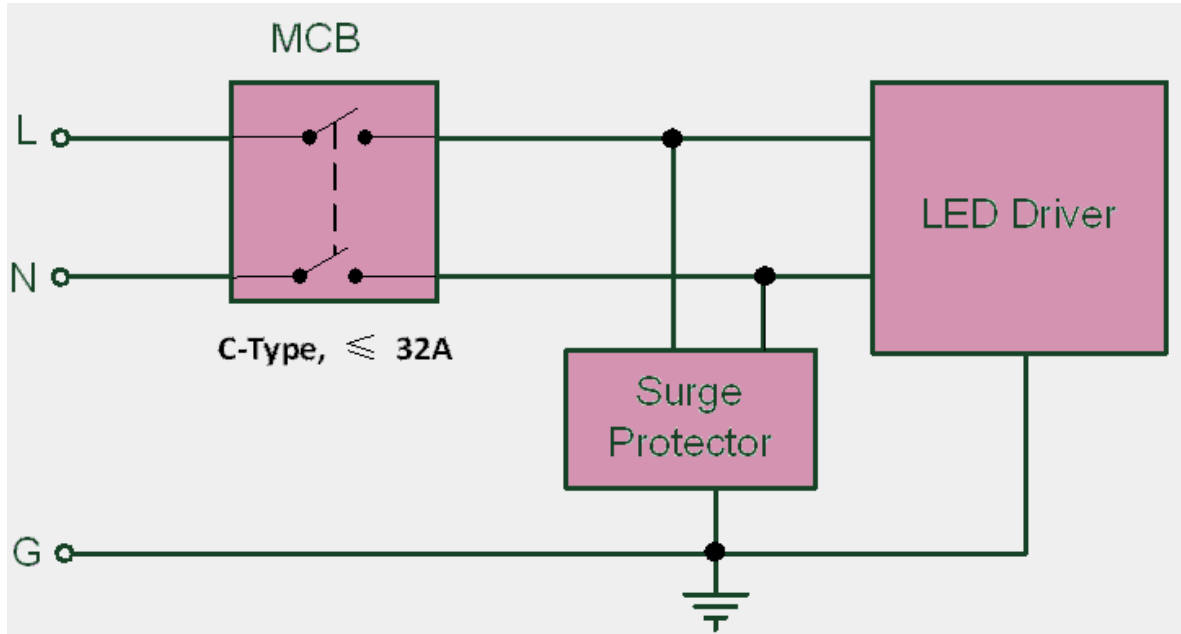
## Schematic

PY-20KS10KTTN



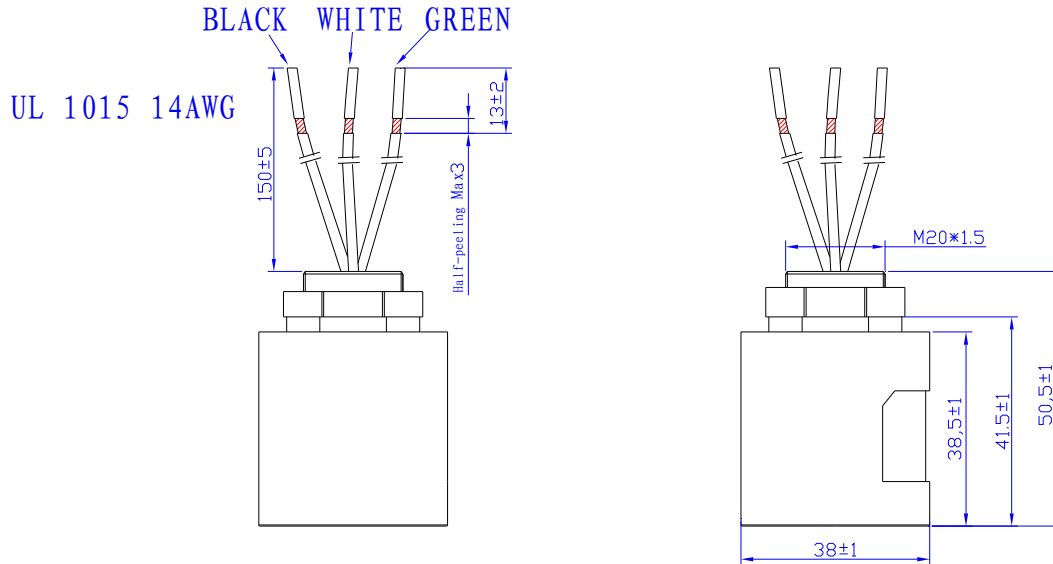
## Wiring

PY-20KS10KTTN



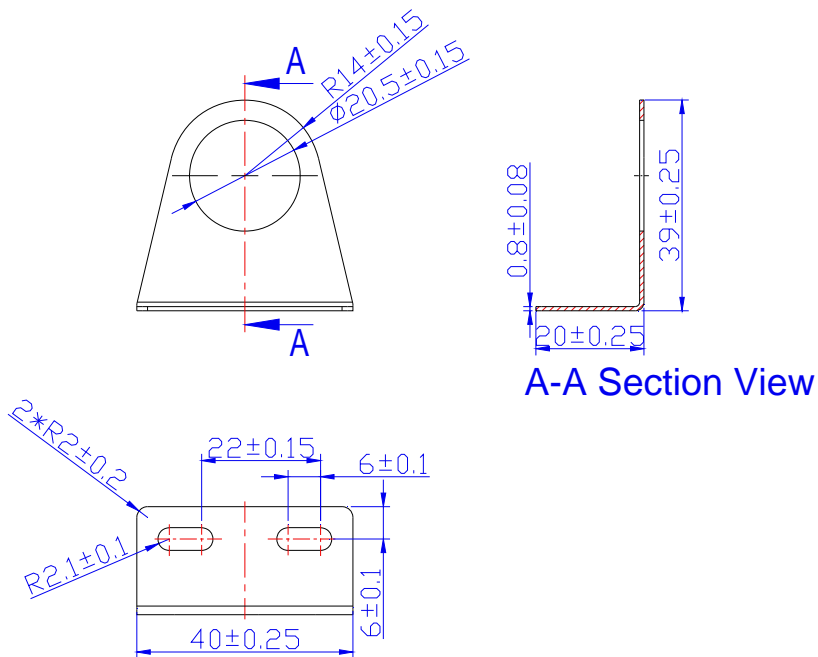
## Mechanical Outline

PY-20KS10KTTN



## Optional Bracket:

BRU-20KS10KT



**Note:** This device is used to fix the surge protector to the housing and it can be ordered separately.

## Revision History

Change Date	Rev.	Description of Change		
		Item	From	To
2015-04-24	A	Datasheet Release	/	/